



DLYY

SEALING SOLUTION FOR METALLURGICAL INDUSTRY

DALIAN YINGYU CO., LIMITED



Contents



1

Oil Film Bearing Seals

2

Textile-Reinforced Rubber Seals

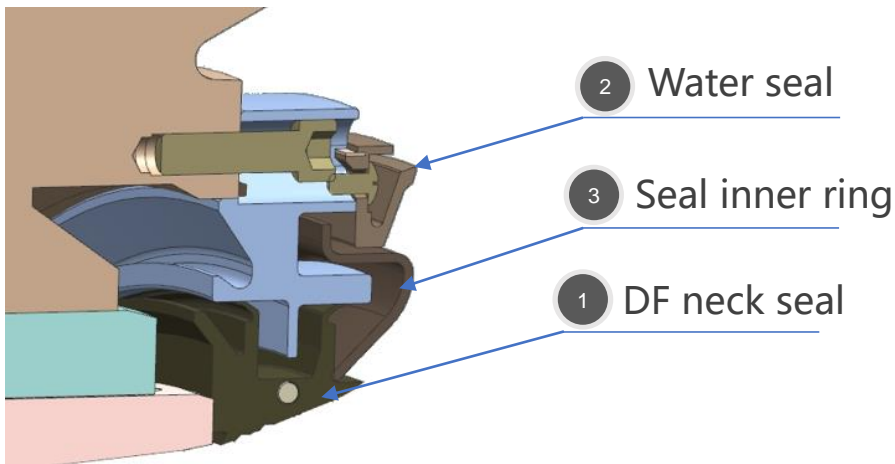
3

Rotary Shaft Oil Seals

4

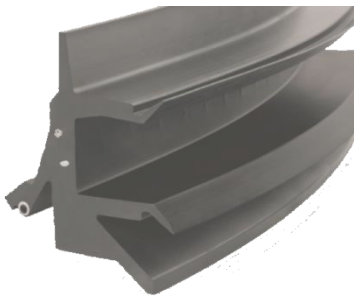
Other Specialty Seals

OIL FILM BEARING SEALS – DF Type

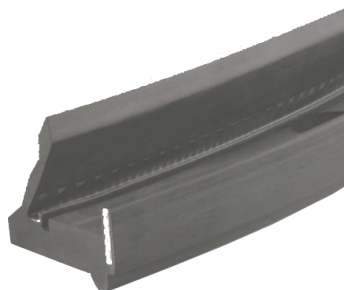


- Primary shaft oil seals for oil film bearings, used in rolling mill: back-up rolls (hot and cold rolling mills).
- Garter spring with internal wire, encased in body of the seal during vulcanization..
- DF neck oil seal can be supplied together with the corresponding water seal, or with specific V-Rings (secondary seal).

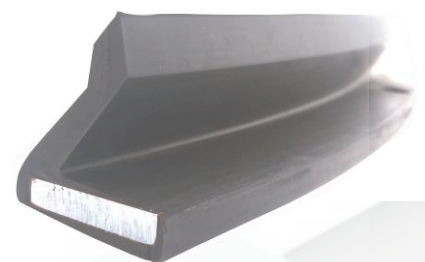
DF NICK SEAL



WATER SEAL (ws-01)



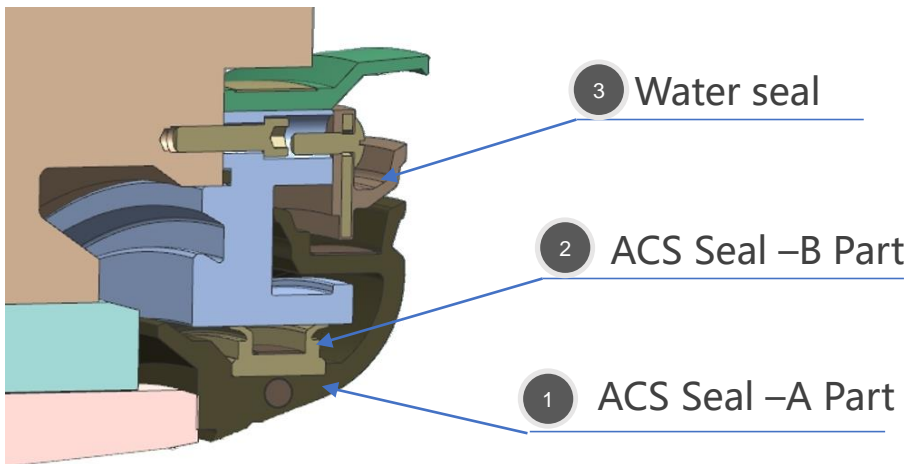
WATER SEAL (ws-02)



- Operation temperature : -40 ~ 160°C
- Medium : Film bearing oil, water, cold rolling processing oil
- Speed : Up to 25m/s
- Material : NBR / HNBR + Metal
- Available sizes : Up to 76" (custom design available)



▶ OIL FILM BEARING SEALS – ACS Type



- Primary shaft oil seals for oil film bearings, used in back-up rolls for rolling mill (hot and cold).
- Garter spring with internal wire, encased in body of the seal during vulcanization.
- Unique R&D, patented design. Elastic rubber that replaced metal seal inner ring resulting in less deformation.
- Separate A,B part design can be replaced independently, lowering cost.

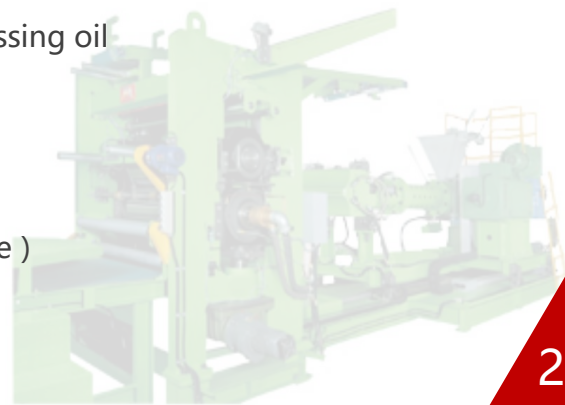
ACS-A



ACS-B

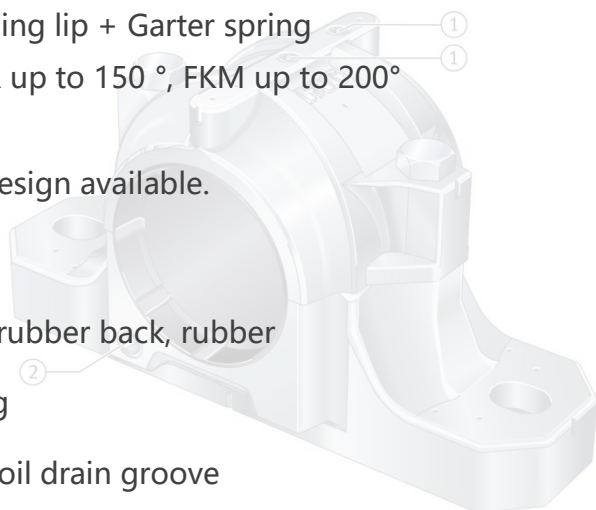


- Operation temperature : -40 ~ 160°C
- Medium : Film bearing oil, water, cold rolling processing oil
- Speed : Up to 25m/s
- Material : NBR / HNBR + Metal
- Available sizes : Up to 76" (custom design available)



TEXTILE-REINFORCED RUBBER SEALS

- Flexible reinforced textile-rubber back and rubber sealing lip with garter spring. It is used in rolling mill (hot and cold) for radial sealing.
- Industry application: Metalworking; Wind Turbines; Marine Usage; Power Generation
- Material: Textile-Rubber back + Rubber + Sealing lip + Garter spring
- Operating temperature: NBR up to 100°, HNBR up to 150 °, FKM up to 200°
- Speed: Up to 25 m/sec
- Available up to 76" outside diameter, custom design available.

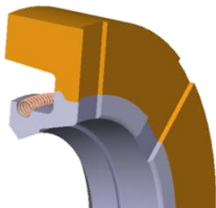


TRS-R35



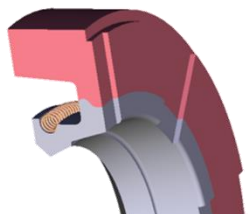
- Flexible reinforced textile-rubber back, rubber sealing lip with garter spring
- No axial (A) and radial (R) oil drain groove
- Dual installed back to back

TRS-R36



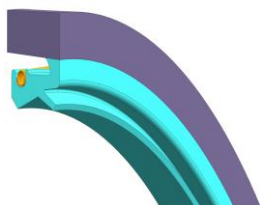
- Flexible reinforced textile-rubber back, rubber sealing lip with garter spring
- Radial (R) oil drain groove
- Dual installed back to back

TRS-R37



- Flexible reinforced textile-rubber back, rubber sealing lip with garter spring.
- Axial (A) and radial (R) oil drain groove
- Dual installed back to back

TRS-R35-1



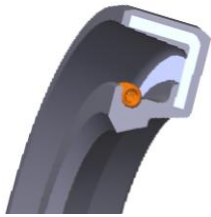
- Like R35, with additional anti-pollutant sealing lip.
- No axial (A) and radial (R) oil drain groove.
- Single installed

▶ ROTARY SHAFT OIL SEALS

- Indispensable component in any lubricated rotating equipment.
- Widely used in shaft bearings, motors, pumps, and transmissions.
- Material: NBR, FKM, HNBR, etc.
- Available up to 1.7m outer diameter, custom design available.



SC



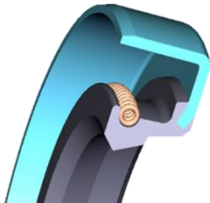
- With a Rubber covered metal casing, Sealing lip and Garter spring

TC



- With a Rubber covered metal casing, Sealing lip, Dust lip and Garter spring

SB



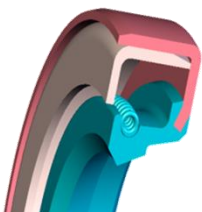
- With a Metal casing, Sealing lip and Garter spring

TB



- With a Metal casing, Sealing lip, Dust lip and Garter spring

SA



- With a Metal casing, "L" shaped metal insert, Sealing lip and Garter spring

TA

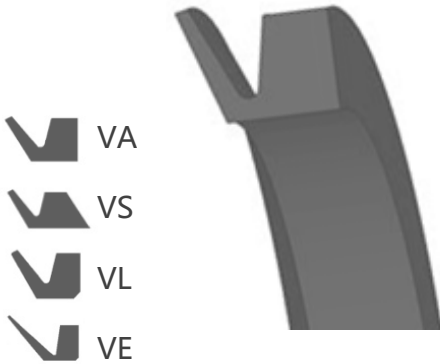


- With a Metal casing, "L" shaped metal insert, Sealing lip, Dust lip and Garter spring

▶ OTHER SEALS

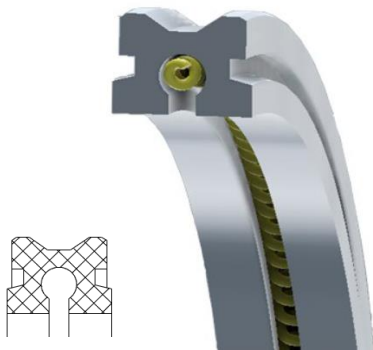
Besides the universal seals in metallurgical industry, we also have amount of customized seals and other non-standard seals.

V SEALS



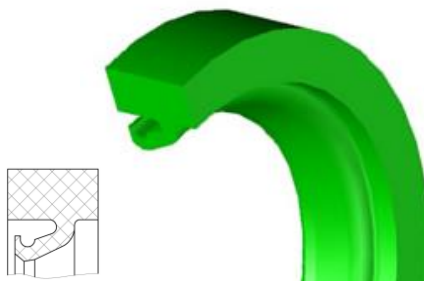
- The function of a V-seal is to prevent dirt, water or other contaminants from entering bearing housings while also retaining grease.
- V Seals includes styles of VA, VS, VL, VE
- Material: NBR, FKM, HNBR, etc.
- V Seals widely used in metallurgical, mechanical, power transmission and general bearing

TRS-IS



- TRS-IS is a Inner seal, used in axial and radial seals with small aperture gap.
- Contains garter spring
- Material: NBR, FKM, HNBR
- Inner seal widely used in metallurgical, mechanical, power transmission and bearing industry.

TRS-CS



- TRS-CS is a axial (A) seal, mostly used in cold rolling mill.
- Speed up to 25m/s
- Material: NBR, FKM, HNBR etc.



DLYY

DALIAN YINGYU CO., LIMITED

has been devoted to developing and producing oil seals used in the metallurgical industry since 1992. We are amongst the first in China to perfect in-house, end-to-end production of DF series seals for rolling mills. Since then, we have further developed and obtained our own patents, becoming a pioneer in breaking the monopoly of international brands on the metalworking oil seal market. We serve dozens of enterprises in China both large and medium-sized. Our record is "zero defect" in the metallurgical seals space for five consecutive years. As an ambitious firm that focuses on quality and customer care, we hope to serve more customers worldwide in the near future.

VALUED CUSTOMERS

